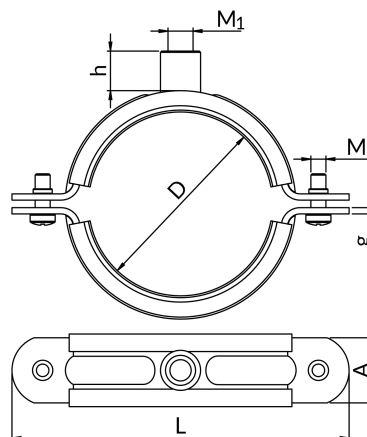


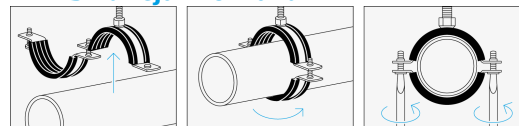
OBEJMY Z OKŁADZINĄ

Obejmy EXPERT UPG



- **Zabezpieczenie antykorozyjne:** ocynk galwaniczny
- **Okładzina:** elastomer EPDM
- **Wytrzymałość termiczna:** -40°C do +120°C

• **Instrukcja montażu:**



| Zakres średnic D [mm] | Wymiary L [mm] | Wymiary A [mm] | Wymiary g [mm] | Przyłącze | | Przyłącze wersja | Śruby łączące M2 | Obciążenie dopuszczalne [kN] | Ciężar jednostkowy [kg] | Ilość w opakowaniu | Jednostka miary | Oznaczenie do zamówienia | Numer katalogowy |
|-----------------------|----------------|----------------|----------------|-----------|-----------------|------------------|------------------|------------------------------|-------------------------|--------------------|-----------------|--------------------------|------------------|
| | | | | M1 | wysokość h [mm] | | | | | | | | |
| 16-20 | 62.5 | 19.8 | 2 | M8 | 5.3 | A | M6 | 2 | 0.055 | 100 | szt./pcs. | UPG3/8BK | 80130201700 |
| 20-24 | 69.8 | 19.8 | 2 | M8 | 5.3 | A | M6 | 2 | 0.061 | 100 | szt./pcs. | UPG1/2BK | 80130202100 |
| 26-30 | 75.1 | 19.8 | 2 | M8 | 5.3 | A | M6 | 2 | 0.067 | 100 | szt./pcs. | UPG3/4BK | 80130202600 |
| 34-39 | 90.5 | 23.3 | 2 | M8 | 5.3 | A | M6 | 2 | 0.097 | 50 | szt./pcs. | UPG1BK | 80130203300 |
| 41-46 | 100.2 | 23.4 | 2 | M8 | 5.3 | A | M6 | 2 | 0.112 | 50 | szt./pcs. | UPG11/4BK | 80130204200 |
| 48-53 | 101.5 | 23.5 | 2 | M8 | 5.3 | A | M6 | 2 | 0.1212 | 50 | szt./pcs. | UPG11/2BK | 80130204800 |
| 52-57 | 109.5 | 23.5 | 2 | M8 | 5.3 | A | M6 | 2 | 0.133 | 50 | szt./pcs. | UPG54BK | 80130205400 |
| 59-64 | 114 | 24 | 2 | M8 | 5.3 | A | M6 | 2 | 0.138 | 50 | szt./pcs. | UPG2BK | 80130206000 |
| 74-79 | 134.5 | 26 | 2.5 | M10/12 | 17.5 | B | M6 | 2.15 | 0.219 | 25 | szt./pcs. | UPG21/2BK | 80130207600 |
| 78-84 | 152 | 26 | 2.5 | M10/12 | 17.5 | B | M6 | 2.15 | 0.247 | 25 | szt./pcs. | UPG80BK | 80130208000 |
| 85-91 | 146.3 | 26 | 2.5 | M10/12 | 17.5 | B | M6 | 2.15 | 0.244 | 25 | szt./pcs. | UPG3BK | 80130208900 |
| 102-108 | 166 | 26 | 2.5 | M10/12 | 17.5 | B | M6 | 2.15 | 0.2966 | 25 | szt./pcs. | UPG100BK | 80130210000 |
| 107-113 | 166.2 | 26 | 2.5 | M10/12 | 17.5 | B | M6 | 2.15 | 0.286 | 25 | szt./pcs. | UPG4BK | 80130211000 |
| 112-118 | 175.7 | 26 | 2.5 | M10/12 | 17.5 | B | M6 | 2.15 | 0.303 | 25 | szt./pcs. | UPG114BK | 80130211400 |
| 124-131 | 194.3 | 26 | 2.5 | M10/12 | 17.5 | B | M6 | 2.15 | 0.337 | 25 | szt./pcs. | UPG125BK | 80130212500 |
| 130-138 | 194 | 26 | 2.5 | M10/12 | 17.5 | B | M6 | 2.15 | 0.339 | 20 | szt./pcs. | UPG5BK | 80130213300 |
| 139-146 | 221 | 35 | 3 | M10/12 | 25 | C | M8 | 3.9 | 0.608 | 10 | szt./pcs. | UPG139BK | 80130213900 |
| 158-166 | 235 | 35 | 3 | M10/12 | 25 | C | M8 | 3.9 | 0.655 | 10 | szt./pcs. | UPG6BK | 80130216000 |
| 164-172 | 236 | 35 | 3 | M10/12 | 25 | C | M8 | 3.9 | 0.668 | 10 | szt./pcs. | UPG168BK | 80130216800 |
| 175-188 | 252 | 35 | 3 | M10/12 | 25 | C | M8 | 3.9 | 0.748 | 10 | szt./pcs. | UPG188BK | 80130218800 |
| 200-208 | 286 | 35 | 3 | M10/12 | 25 | C | M8 | 3.9 | 0.851 | 10 | szt./pcs. | UPG200BK | 80130220000 |
| 206-214 | 298 | 35 | 3 | M12/16 | 25 | C | M8 | 3.9 | 0.828 | 10 | szt./pcs. | UPG210BK | 80130221000 |
| 214-222 | 305 | 35 | 3 | M12/16 | 25 | C | M8 | 3.9 | 0.832 | 5 | szt./pcs. | UPG8BK | 80130221900 |
| 244-259 | 334 | 35 | 3 | M12/16 | 25 | C | M8 | 3.9 | 0.939 | 5 | szt./pcs. | UPG250BK | 80130225000 |
| 264-273 | 338 | 35 | 4 | M12/16 | 26 | C | M10 | 4.5 | 1.3 | 5 | szt./pcs. | UPG273BK | 80131227300 |
| 278-296 | 356 | 35 | 4 | M12/16 | 26 | C | M10 | 4.5 | 1.4 | 5 | szt./pcs. | UPG280BK | 80131228000 |
| 307-316 | 380 | 35 | 4 | M12/16 | 26 | C | M10 | 4.5 | 1.5 | 5 | szt./pcs. | UPG315BK | 80131231500 |
| 317-326 | 390 | 35 | 4 | M12/16 | 26 | C | M10 | 4.5 | 1.5 | 5 | szt./pcs. | UPG324BK | 80131232400 |
| 346-358 | 423 | 35 | 4 | M12/16 | 26 | C | M10 | 4.5 | 1.703 | 5 | szt./pcs. | UPG355BK | 80131235500 |
| 395-410 | 467 | 35 | 4 | M12/16 | 26 | C | M10 | 4.5 | 1.818 | 5 | szt./pcs. | UPG400BK | 80130240000 |
| 446-454 | 523 | 35 | 4 | M12/16 | 32 | M10 | M10 | 4.5 | 2.1 | 5 | szt./pcs. | UPG450BK | 80131245000 |
| 495-505 | 569 | 35 | 4 | M12/16 | 26 | C | M10 | 4.5 | 2.206 | 5 | szt./pcs. | UPG500BK | 80130250000 |
| 16-20 | 62.5 | 19.8 | 2 | M8 | 5.3 | A | M6 | 2 | 0.075 | 100 | szt./pcs. | UPG3/8KPL | 80130201710 |
| 20-24 | 69.8 | 19.8 | 2 | M8 | 5.3 | A | M6 | 2 | 0.082 | 100 | szt./pcs. | UPG1/2KPL | 80130202110 |
| 26-30 | 75.1 | 19.8 | 2 | M8 | 5.3 | A | M6 | 2 | 0.088 | 100 | szt./pcs. | UPG3/4KPL | 80130202610 |
| 34-39 | 90.5 | 23.3 | 2 | M8 | 5.3 | A | M6 | 2 | 0.118 | 50 | szt./pcs. | UPG1KPL | 80130203310 |
| 41-46 | 100.2 | 23.4 | 2 | M8 | 5.3 | A | M6 | 2 | 0.133 | 50 | szt./pcs. | UPG11/4KPL | 80130204210 |

| Zakres średnic D [mm] | Wymiary L [mm] | Wymiary A [mm] | Wymiary g [mm] | Przyłącze rozmiar M1 | Przyłącze wysokość h [mm] | Przyłącze wersja | Śruby łączące M2 | Obciążenie dopuszczalne [kN] | Ciężar jednostkowy [kg] | Ilość w opakowaniu | Jednostka miary | Oznaczenie do zamówienia | Numer katalogowy |
|-----------------------|----------------|----------------|----------------|----------------------|---------------------------|------------------|------------------|------------------------------|-------------------------|--------------------|-----------------|--------------------------|------------------|
| 48-53 | 101.5 | 23.5 | 2 | M8 | 5,3 | A | M6 | 2 | 0.142 | 50 | szt./pcs. | UPG11/2KPL | 80130204810 |
| 52-57 | 109.5 | 23.5 | 2 | M8 | 5,3 | A | M6 | 2 | 0.154 | 50 | szt./pcs. | UPG54KPL | 80130205410 |
| 59-64 | 114 | 24 | 2 | M8 | 5,3 | A | M6 | 2 | 0.1601 | 50 | szt./pcs. | UPG2KPL | 80130206010 |
| 74-79 | 134.5 | 26 | 2.5 | M10/12 | 17,5 | B | M6 | 2.15 | 0.261 | 25 | szt./pcs. | UPG21/2KPL | 80130207610 |
| 78-84 | 152 | 26 | 2.5 | M10/12 | 17,5 | B | M8 | 2.15 | 0.288 | 25 | szt./pcs. | UPG80KPL | 80130208010 |
| 85-91 | 146.3 | 26 | 2.5 | M10/12 | 17,5 | B | M6 | 2.15 | 0.286 | 25 | szt./pcs. | UPG3KPL | 80130208910 |
| 102-108 | 166 | 26 | 2.5 | M10/12 | 17,5 | B | M6 | 2.15 | 0.328 | 25 | szt./pcs. | UPG100KPL | 80130210010 |
| 107-113 | 166.2 | 26 | 2.5 | M10/12 | 17,5 | B | M6 | 2.15 | 0.327 | 25 | szt./pcs. | UPG4KPL | 80130211010 |
| 112-118 | 175.7 | 26 | 2.5 | M10/12 | 17,5 | B | M6 | 2.15 | 0.349 | 25 | szt./pcs. | UPG114KPL | 80130211410 |
| 124-131 | 194.3 | 26 | 2.5 | M10/12 | 17,5 | B | M6 | 2.15 | 0.378 | 25 | szt./pcs. | UPG125KPL | 80130212510 |
| 130-138 | 194 | 26 | 2.5 | M10/12 | 17,5 | B | M6 | 2.15 | 0.381 | 20 | szt./pcs. | UPG5KPL | 80130213310 |
| 139-146 | 221 | 35 | 3 | M10/12 | 25 | C | M8 | 3.9 | 0.649 | 10 | szt./pcs. | UPG139KPL | 80130213910 |
| 158-166 | 235 | 35 | 3 | M10/12 | 25 | C | M8 | 3.9 | 0.697 | 10 | szt./pcs. | UPG6KPL | 80130216010 |
| 164-172 | 236 | 35 | 3 | M10/12 | 25 | C | M8 | 3.9 | 0.71 | 10 | szt./pcs. | UPG168KPL | 80130216810 |
| 16-20 | 62.5 | 19.8 | 2 | M8 | 5,3 | A | M6 | 2 | 0.075 | 100 | szt./pcs. | UPG3/8SKR | 80130201720 |
| 20-24 | 69.8 | 19.8 | 2 | M8 | 5,3 | A | M6 | 2 | 0.082 | 100 | szt./pcs. | UPG1/2SKR | 80130202120 |
| 26-30 | 75.1 | 19.8 | 2 | M8 | 5,3 | A | M6 | 2 | 0.088 | 100 | szt./pcs. | UPG3/4SKR | 80130202620 |
| 34-39 | 90.5 | 23.3 | 2 | M8 | 5,3 | A | M6 | 2 | 0.118 | 50 | szt./pcs. | UPG15KR | 80130203320 |
| 41-46 | 100.2 | 23.4 | 2 | M8 | 5,3 | A | M6 | 2 | 0.133 | 50 | szt./pcs. | UPG11/4SKR | 80130204220 |
| 48-53 | 101.5 | 23.5 | 2 | M8 | 5,3 | A | M6 | 2 | 0.142 | 50 | szt./pcs. | UPG11/2SKR | 80130204820 |
| 52-57 | 109.5 | 23.5 | 2 | M8 | 5,3 | A | M6 | 2 | 0.154 | 50 | szt./pcs. | UPG54SKR | 80130205420 |
| 59-64 | 114 | 24 | 2 | M8 | 5,3 | A | M6 | 2 | 0.1601 | 50 | szt./pcs. | UPG25KR | 80130206020 |
| 74-79 | 134.5 | 26 | 2.5 | M10/12 | 17,5 | B | M6 | 2.15 | 0.261 | 25 | szt./pcs. | UPG21/2SKR | 80130207620 |
| 78-84 | 152 | 26 | 2.5 | M10/12 | 17,5 | B | M6 | 2.15 | 0.288 | 25 | szt./pcs. | UPG80SKR | 80130208020 |
| 85-91 | 146.3 | 26 | 2.5 | M10/12 | 17,5 | B | M6 | 2.15 | 0.286 | 25 | szt./pcs. | UPG35SKR | 80130208920 |
| 102-108 | 166 | 26 | 2.5 | M10/12 | 17,5 | B | M6 | 2.15 | 0.328 | 25 | szt./pcs. | UPG100SKR | 80130210020 |
| 107-113 | 166.2 | 26 | 2.5 | M10/12 | 17,5 | B | M6 | 2.15 | 0.327 | 25 | szt./pcs. | UPG45SKR | 80130211020 |
| 112-118 | 175.7 | 26 | 2.5 | M10/12 | 17,5 | B | M6 | 2.15 | 0.349 | 25 | szt./pcs. | UPG114SKR | 80130211420 |
| 124-131 | 194.3 | 26 | 2.5 | M10/12 | 17,5 | B | M6 | 2.15 | 0.378 | 25 | szt./pcs. | UPG125SKR | 80130212520 |
| 130-138 | 194 | 26 | 2.5 | M10/12 | 17,5 | B | M6 | 2.15 | 0.381 | 20 | szt./pcs. | UPG55SKR | 80130213320 |
| 139-146 | 221 | 35 | 3 | M10/12 | 25 | C | M8 | 3.9 | 0.649 | 10 | szt./pcs. | UPG139SKR | 80130213920 |
| 158-166 | 235 | 35 | 3 | M10/12 | 25 | C | M8 | 3.9 | 0.697 | 10 | szt./pcs. | UPG65SKR | 80130216020 |